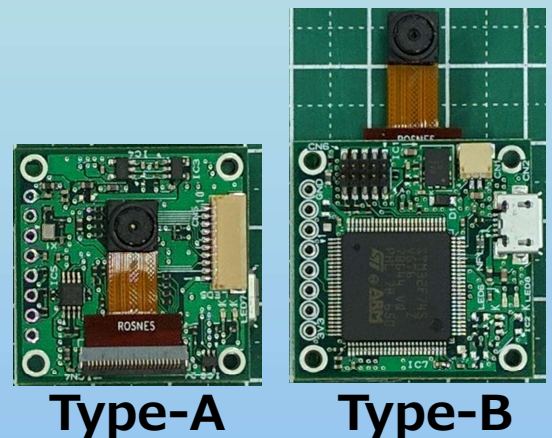
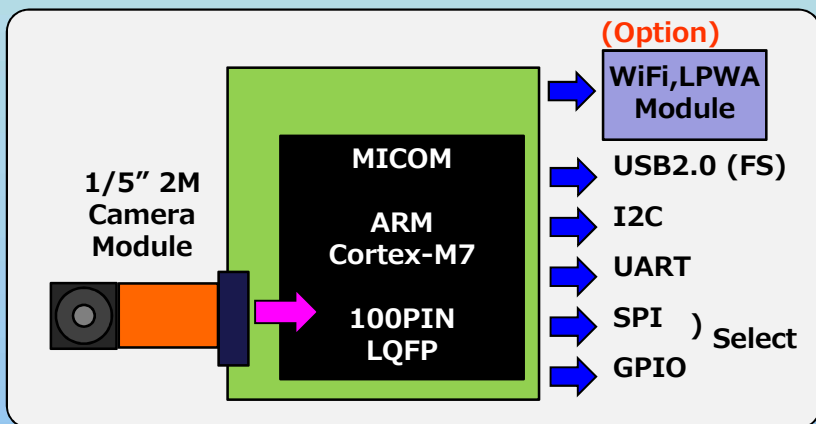


◆ General purpose camera micom board ◆ Karasuma-II

1 What is Karasuma-II Board?

■ It's general-purpose camera microcomputer board which performs arithmetic processing to image data from camera module and outputs result of calculation by various I/F. It's specialized in simple and low cost.



2 Feature

- Embedded high performance ARM Cortex-M7 STM32F
- Embedded high performance 1/5" 2M 15fps camera
- Extremely compact size[30 x 30 x 5 mm]
- Dedicated terminal that mount WiFi/LPWA module etc.

3 Application

- Applicable to various image recognition system
Face recognition, Object detection, Gesture recognition,
Flow line tracking, etc.
- Embed in robot equipment / security equipment etc.